



规格书 Specification

品名/Term:防水卡侬三芯公插座

Waterproof XLR connector-3 pin male socket

型号/Model:SW3XMZ-F-B (Black)

SW3XMZ-F(Silver)

承认签章/Admit signature					
供应商确认/supplier			客户公司承认/customer		
工程师 engineer	审核 audit	批准 approval	工程师 engineer	审核 audit	批准 approval
LXQ	WXW	CJY			
盖章签署 signature			盖章签署 signature		
日期/date			日期/date		

一、产品外观 (Product Appearance)

SW3XMZ-F-B



SW3XMZ-F



二、产品特性 (Product features)

☑橡胶密封套具有防水防尘作用

Sealed rubber jacket is waterproof and dust-proof

☑标准的 D 型安装尺寸，同现有的安装完全匹配

Standard D mounting dimensions, fully matched to existing installation

☑锌合金外壳，接触点镀金

Zinc alloy shell, contact point gold-plated

☑可以解决 DMX 灯光行业在户外条件信号输入输出的快速连接要求

Can solve the fast connection requirement of input and output of DMX

signal in outdoor conditions in the lighting industry

☑防水等级 IP65

Waterproof IP65

三、技术参数 (Technical parameters)

1.产品参数 (Product parameters)

连接类型(Connection Type)	XLR
公母性(Gender)	Male

2.电气参数 (Electrical parameters)

触点间电容 (Capacitance between contacts)	≤4pF
接触电阻 (Contact resistance)	≤5mΩ
介电强度 (Dielectric strength)	1.5kV DC
绝缘电阻 (Insulation resistance)	> 10GΩ (initial)
每触点间额定电流(Rated current per contact)	16A
额定电压(Rated voltage)	<50V

3.机械参数 (Mechanical parameters)

插入力 (Insertion force)	≤ 20N
拔出力 (Withdrawal force)	≤ 20N
使用寿命 (Service life)	> 1000 mating cycles
底座外形 (Chassis shape)	D type

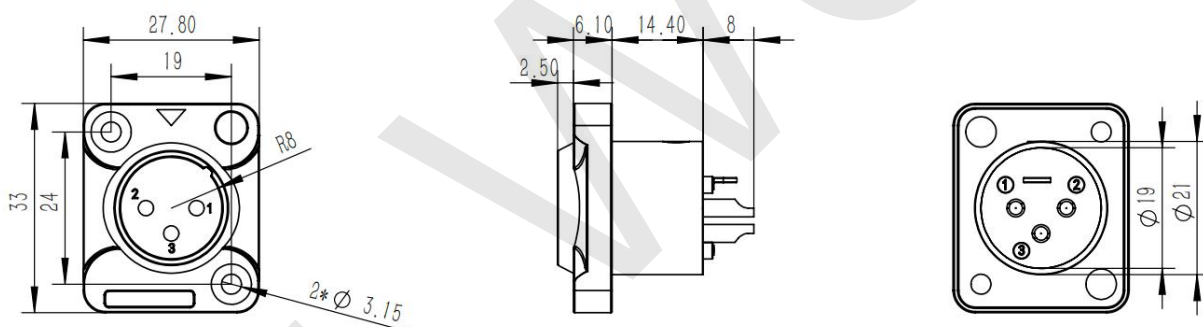
4.材料和环境 (Material and environmental parameters)

触点 (Contacts)	Cu alloy
触点电镀 (Contact plating)	Au
内芯 (Insert)	Polyamide (PA 66 +30 % GF)
外壳 (Shell)	Zinc diecast (ZnAl4Cu1)
外壳电镀(Shell plating)	Cr
可焊性(Solder ability)	Complies with IEC 68-2-20
阻燃等级 (Flame-retardant grade)	UL 94 HB
防护等级 (Protection class)	IP65
使用温度范围(Temperature range)	-30°Cto +80°C

四、产品外形尺寸 (Product Profile)

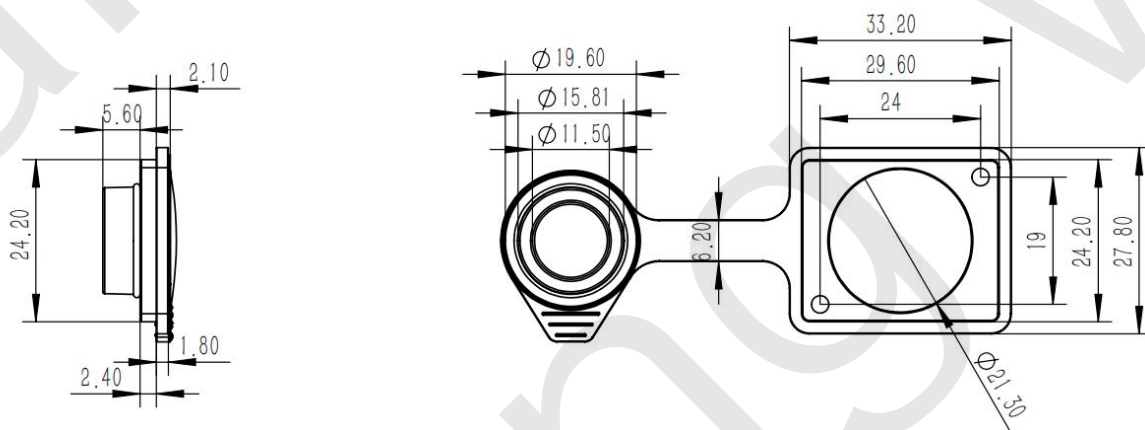
SW3XMZ-F-B/SW3XMZ-F

Unit:mm



Waterproof rubber

Unit:mm



五、 组装图 (Assembly reference)

